



Producer: **Danfoss**

Line: **VTZ**

Model: **VTZ215-G**

Cooling capacity (maximal speed) [kW]: **29.01**

Displacement [m³/h]: **68.5**

Refrigerant: **R134a, R404A, R407C**

Capacity control: **Inverter (standard)**

Power supply: **400V/3Ph/50Hz**

Data

Technical data

Displacement	[m ³ /h]	68.5
Swept volume	[cm ³]	215.44
Cylinders quantity		4
Oil charge	[l]	3.90
Oil type		160PZ
Internal free volume (suction)	[dm ³]	31.0
Internal free volume (discharge)	[dm ³]	1.2
Net weight	[kg]	68.00
Gross weight	[kg]	72.00

Electrical data

Power supply		400V/3Ph/50Hz
Locked rotor amperage	[A]	197.0
Maximum revolutions per minute	[RPM]	5,400
Minimum revolutions per minute	[RPM]	1,800
Motor resistance main	[Ω]	0.47

Limits

Maximum suction pressure	[bar]	22.6
Maximum discharge pressure	[bar]	29.4
Maximum suction temperature	[°C]	50.0
Minimum suction temperature	[°C]	-35.0
Maximum discharge temperature	[°C]	150.0
Minimal discharge temperature	[°C]	-35.0

Dimensions

Suction valve diameter	[inch]	1 1/8
Discharge valve diameter	[inch]	3/4
Suction connection thread diameter	[inch]	1 3/4
Discharge connection thread diameter	[inch]	1 1/4
Diameter	[mm]	352
Height	[mm]	518
Oil equalization		3/8" Flare SAE

Other

Product codes	120B0006
Approved refrigerants	R134a, R404A, R407C
Capacity control	Inverter (standard)
Protection rating ¹	IP54
Glass mounting	Threaded

Shipped equipment

Motor protection	Frequency converter
Shipped fittings	Suction and discharge solder sleeves, rotolock nuts and gaskets
Shipped mounting	Mounting kit with grommets, bolts, nuts, sleeves and washers

¹ With cable gland.

Performance

Nominal conditions: refrigerant: R404A, evaporation: -10°C (dew point), condensation: 45°C (dew point), superheating: 10K, subcooling: 0°C

Cooling capacity (maximal speed)

		Evaporation temperature [°C]								
		 	-30	-25	-20	-15	-10	-5	0	5
Condensation temperature [°C]	20		15.20	20.52	27.02	34.83	44.11	54.99		
	25		13.76	18.92	25.18	32.68	41.57	51.99	64.08	
	30		12.24	17.19	23.16	30.30	38.76	48.67	60.18	73.43
	35		10.65	15.35	20.99	27.73	35.71	45.07	55.95	68.50
	40		9.03	13.43	18.70	25.00	32.45	41.21	51.43	63.23
	45		7.41	11.47	16.32	22.12	29.01	37.13	46.63	57.65
	50		5.82	9.48	13.88	19.14	25.42	32.86	41.60	51.78
	55			7.51	11.40	16.08	21.71	28.41	36.35	45.65
	60				8.91	12.97	17.90	23.83	30.91	39.30

Cooling capacity (minimal speed)

		Evaporation temperature [°C]								
		 	-30	-25	-20	-15	-10	-5	0	5
Condensation temperature [°C]	20		4.79	6.69	9.05	11.94	15.40	19.49		
	25		4.23	5.99	8.19	10.87	14.08	17.89	22.34	
	30		3.70	5.33	7.35	9.82	12.80	16.32	20.45	25.24
	35		3.18	4.69	6.54	8.81	11.54	14.78	18.59	23.01
	40		2.69	4.07	5.76	7.82	10.31	13.27	16.76	20.82
	45		2.21	3.47	4.99	6.86	9.10	11.78	14.95	18.66
	50		1.75	2.88	4.25	5.91	7.91	10.32	13.17	16.53
	55			2.31	3.52	4.98	6.75	8.87	11.41	14.42
	60				2.80	4.07	5.60	7.45	9.68	12.33

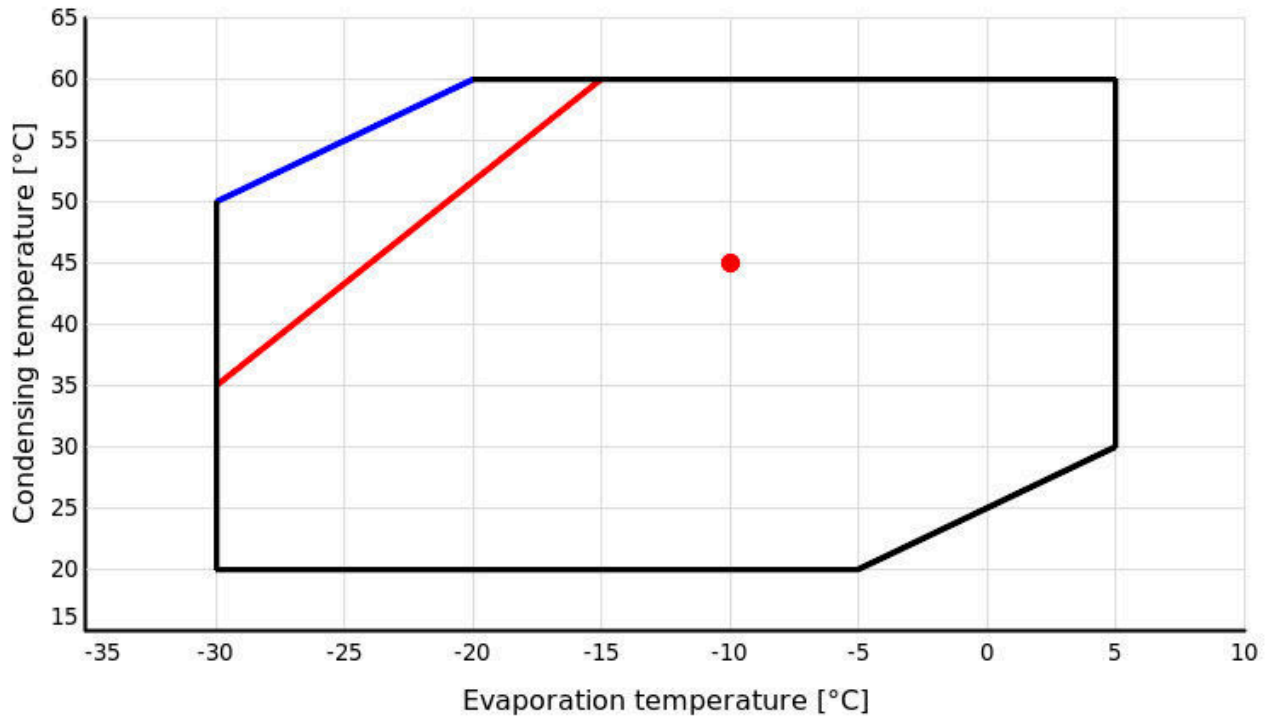
Power consumption (maximal speed)

		Evaporation temperature [°C]								
		 	-30	-25	-20	-15	-10	-5	0	5
Condensation temperature [°C]	20	9.71	11.10	12.40	13.62	14.73	15.73			
	25	9.87	11.41	12.90	14.31	15.65	16.88	18.02		
	30	9.94	11.64	13.30	14.90	16.44	17.91	19.30	20.59	
	35	9.91	11.76	13.59	15.38	17.12	18.81	20.44	21.99	
	40	9.79	11.78	13.76	15.73	17.67	19.58	21.44	23.24	
	45	9.56	11.68	13.81	15.95	18.08	20.20	22.28	24.33	
	50	9.21	11.46	13.73	16.03	18.35	20.66	22.97	25.26	
	55		11.11	13.52	15.98	18.47	20.98	23.50	26.02	
	60			13.17	15.77	18.43	21.13	23.85	26.60	




Power consumption (minimal speed)

		Evaporation temperature [°C]								
		 	-30	-25	-20	-15	-10	-5	0	5
Condensation temperature [°C]	20	3.00	3.31	3.58	3.79	3.95	4.04			
	25	3.11	3.47	3.78	4.05	4.26	4.42	4.50		
	30	3.18	3.60	3.97	4.30	4.57	4.79	4.94	5.02	
	35	3.23	3.71	4.14	4.53	4.87	5.15	5.37	5.53	
	40	3.24	3.78	4.28	4.74	5.15	5.51	5.80	6.03	
	45	3.22	3.83	4.40	4.93	5.41	5.84	6.22	6.53	
	50	3.15	3.83	4.48	5.09	5.65	6.16	6.62	7.02	
	55		3.79	4.52	5.21	5.86	6.46	7.01	7.49	
	60			4.52	5.30	6.03	6.72	7.36	7.95	

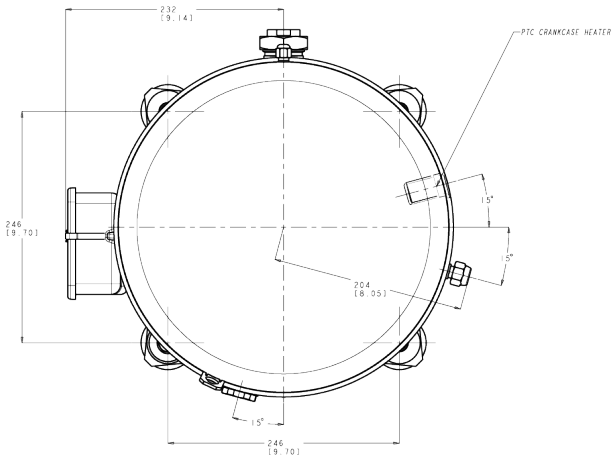
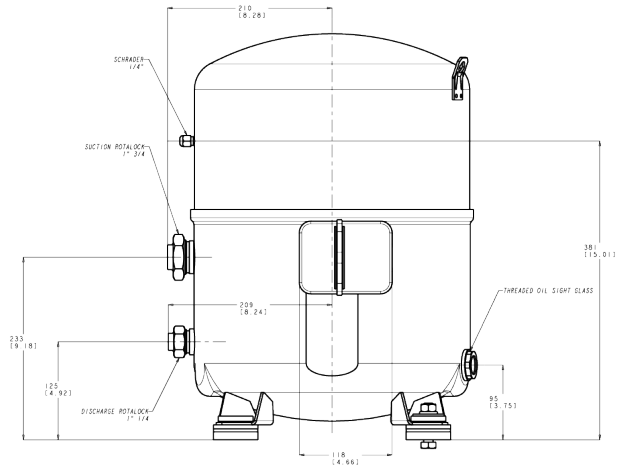
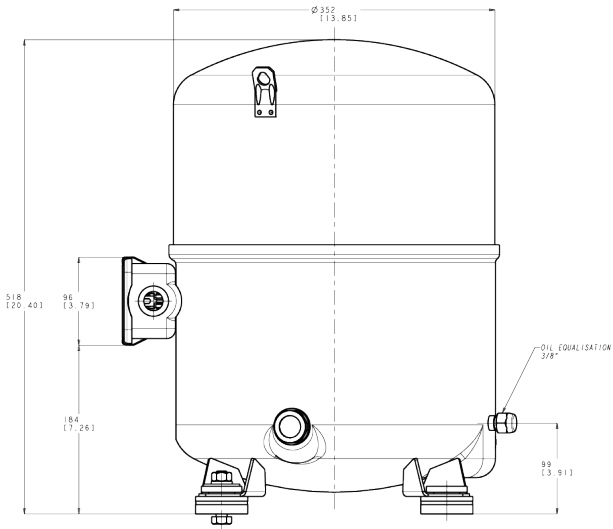
Application range



Legend

-  Suction gas superheating: 10 K
-  Suction gas superheating: 30 K
-  Current operating conditions

Dimensions



SILENTBLOCK

